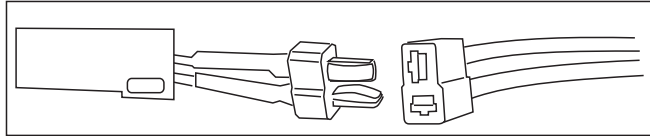


## Falcon Electronic Fire Control Unit 3.0 Manual

Batteries require T-type connector.



Choose from 4 modes:

Mode 1: 3 or 6 rounds burst, AUG trigger mode

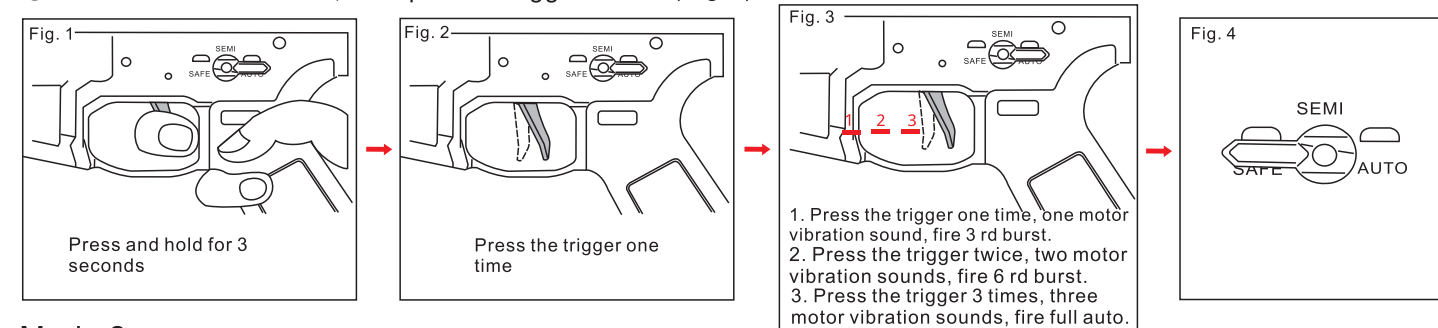
Mode 2: Trigger sensitivity adjustment

Mode 3: Binary trigger mode

Mode 4: Pre-cocking

Mode 1:

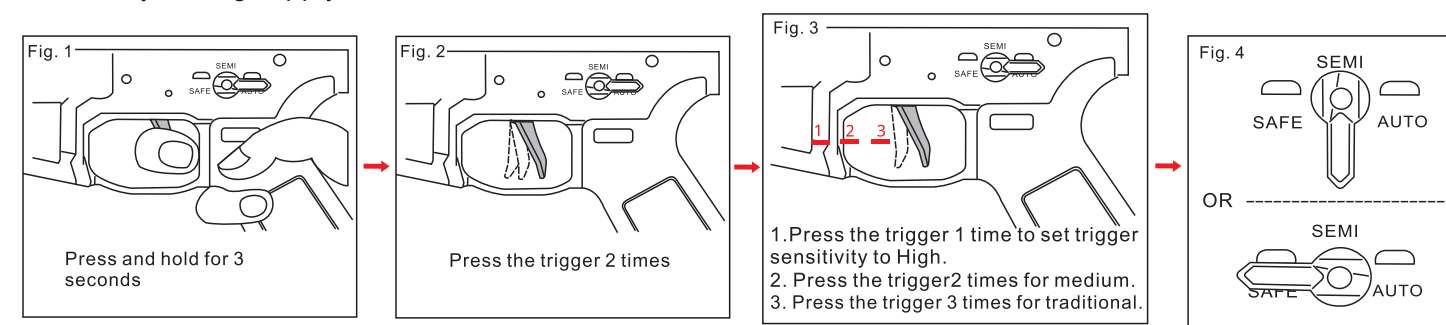
- Set the selector to SAFE, pull and hold the trigger for 3 seconds until the gun emits one vibration. (Fig. 1)
- Release the trigger and press it once more. The gun should emit another vibration, indicating that Mode 1 is activated. (Fig. 2)
- Pull the trigger once to enter a 3-round burst. Pull the trigger twice to enter a 6-round burst. Pull the trigger three times for AUG mode. In AUG mode, a light pull enters a 3-round burst, while a full pull enters full auto mode. (Fig. 3)
- Set the selector to Auto, then pull the trigger to fire. (Fig. 4)



Mode 2:

- Set the selector to SAFE, then pull and hold the trigger for 3 seconds. Release the trigger after one vibration. (Fig. 1)
- Pull the trigger twice to enter Mode 2. (Fig. 2)
- Pull the trigger 1 time for high sensitivity mode, pull the trigger 2 times for medium sensitivity mode, and pull the trigger 3 times to restore to the factory mode. (Fig. 3)

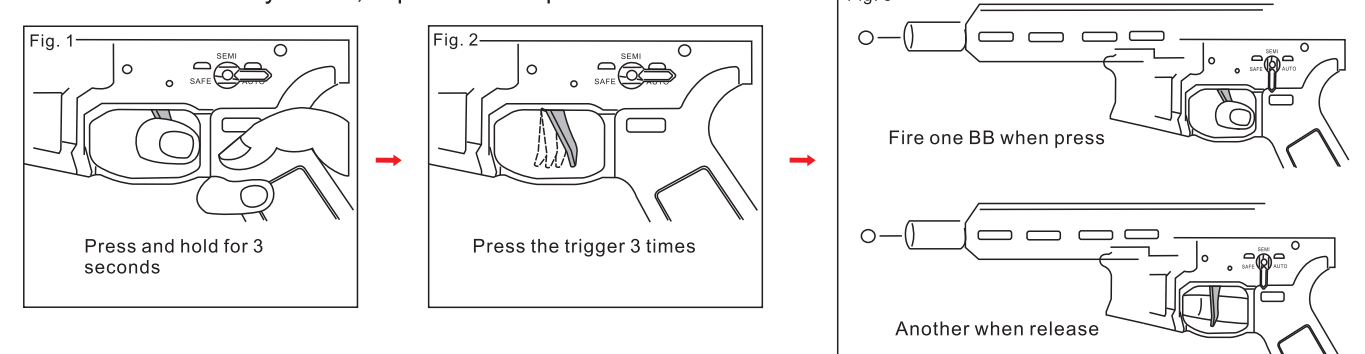
Sensitivity settings apply to both fire modes: semi-automatic and automatic.



Mode 3:

- Set the selector to SAFE, then pull and hold the trigger for 3 seconds. Release the trigger after the gun emits one vibration. (Fig. 1)
- Pull the trigger 3 times. (Fig. 2)
- Set the selector to SEMI, then pull the trigger 1 time. The gun will fire once when the trigger is pulled, and another shot will be fired after the trigger is released. (Fig. 3)

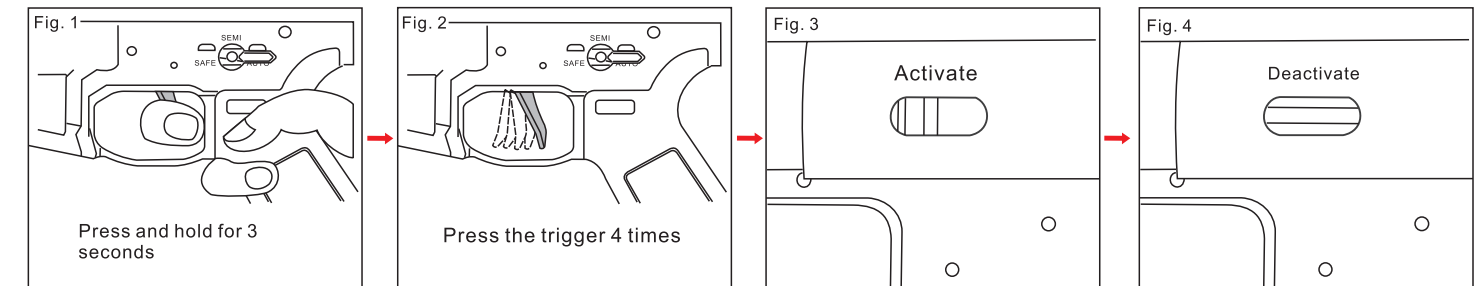
To cancel the Binary mode, repeat the steps outlined above.



Mode 4:

- Set the selector to SAFE, then pull and hold the trigger for 3 seconds. Release the trigger after the gun emits one vibration. (Fig. 1)
- After pulling the trigger 4 times, the gun should emit 4 vibrations, indicating that the pre-cocking mode is activated. (Fig. 2) (Fig. 3)
- To cancel the pre-cocking mode, repeat the steps outlined above.

Each time load parameters are changed (such as spring, motor, or voltage), the procedure must be repeated to activate the pre-cocking system and ensure it functions as.



### Calibration

Set the selector to AUTO. After plugging in the battery, pull and hold the trigger for 3 seconds. After feeling three vibrations, pull the trigger 6 times. The gun should emit 6 vibrations. Set the selector to SAFE, then pull and hold the trigger until another 6 vibrations are emitted. Calibration is completed. Calibrate only if Semi or Auto modes do not function as usual.

### Reset to default

Set the selector to SAFE, then press and hold the trigger for 3 seconds. After feeling three vibrations, continue holding the trigger for another 2 seconds until one long vibration is emitted. Release the trigger, and all four modes will be reset to the default settings.

### Battery Protection

- The Falcon is compatible with 11.1V and 7.4V batteries and operates with voltages between 6V and 14V. In case the voltage is too low or too high, the system will emit an alarm and stop working.
- If the battery voltage drops below 6V, the motor will vibrate five times. Recharge the battery.
- When not in use, unplug and remove the battery.

### ETU malfunction

- Low battery voltage : 5 vibration sounds.
- High battery voltage: 3 vibration sounds.
- Gear stuck or turntable problem: 2 vibration sounds.
- Trigger error : continuous vibration sounds.
- Memory error: slow vibration sounds.

### Power outage safety feature

- Power safety is activated in the event of a power outage. The gun will cease functioning if the selector is on SEMI or AUTO. To resume normal operation, the selector must be set to SAFE before use.
- The settings remain the same even if the battery is unplugged or changed.

### Sleep mode

To protect electronics and the battery, the system will automatically shut off after 1 hour of non-use. Reconnect the battery to use it again.